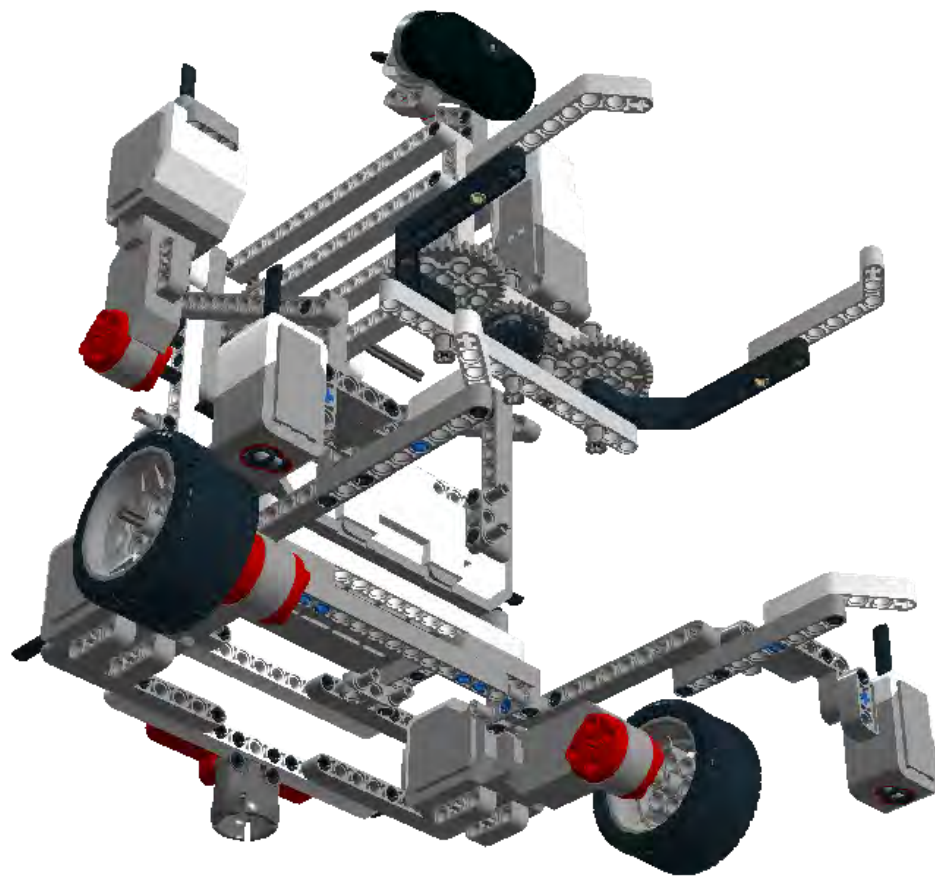


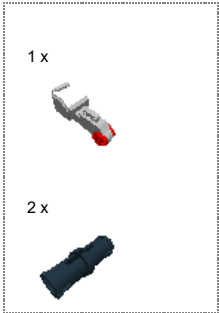


Model Name:  
Robofest Workshop 2021

Number of Bricks: 216



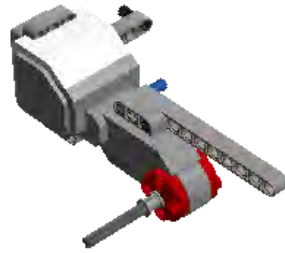
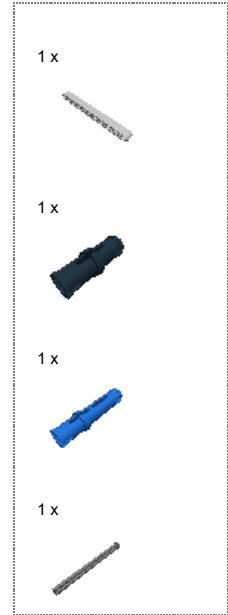
Step 1 of 84



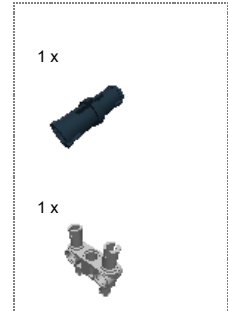
Step 2 of 84



Step 3 of 84



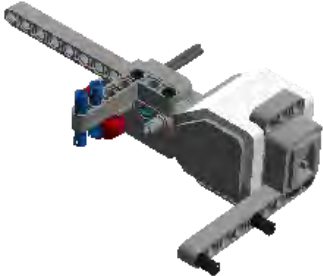
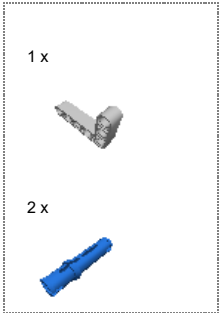
Step 4 of 84



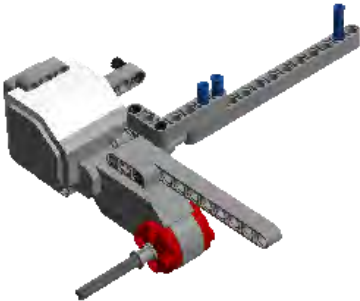
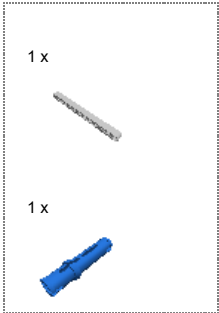
Step 5 of 84



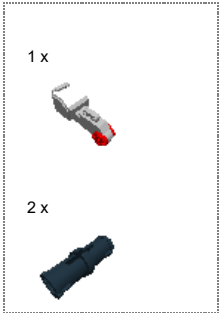
Step 6 of 84



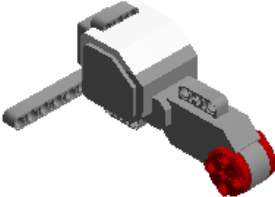
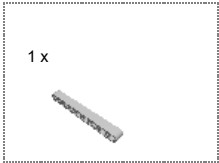
Step 7 of 84



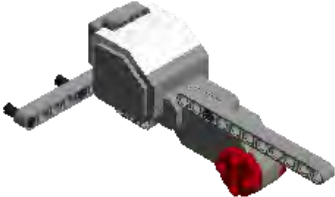
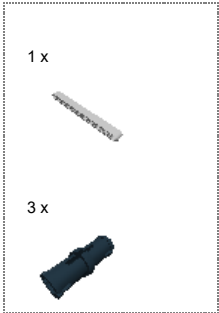
Step 8 of 84



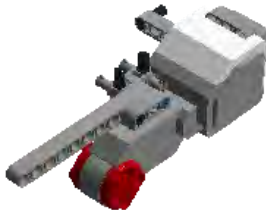
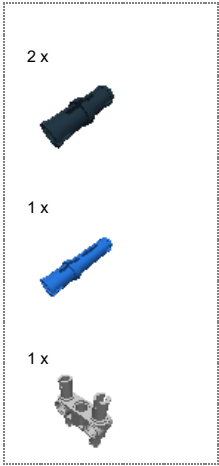
Step 9 of 84



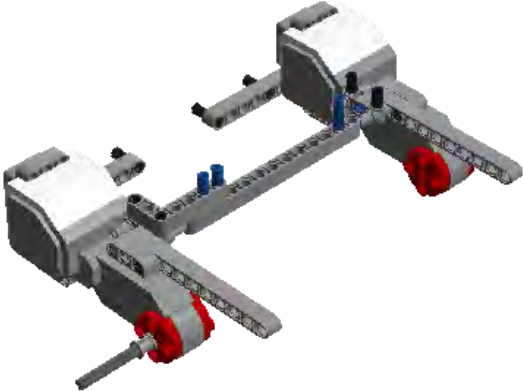
Step 10 of 84



Step 11 of 84

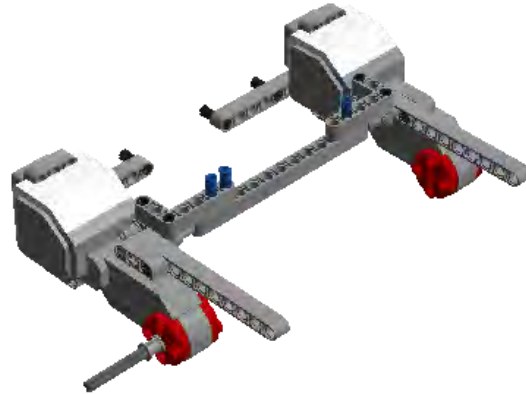


Step 12 of 84



Step 13 of 84

1 x



Step 14 of 84

1 x



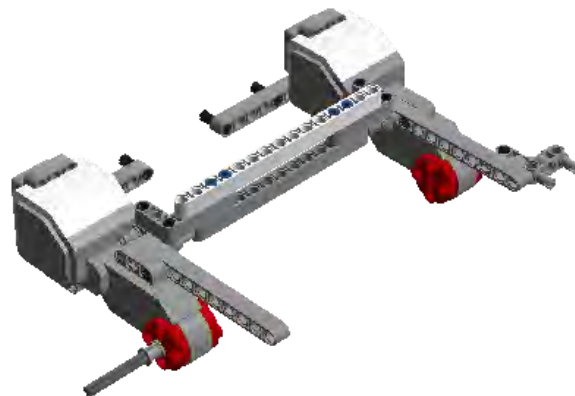
1 x



1 x

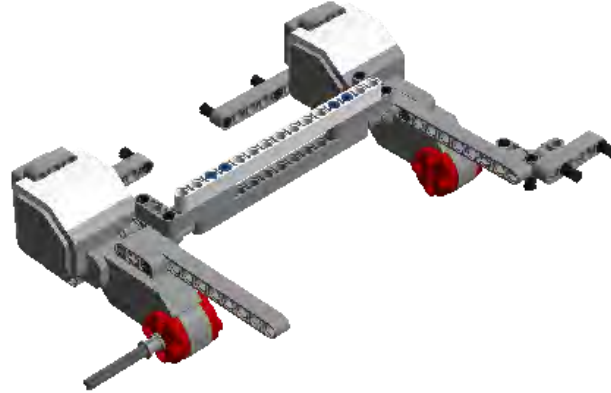
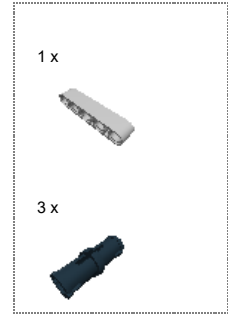


1 x

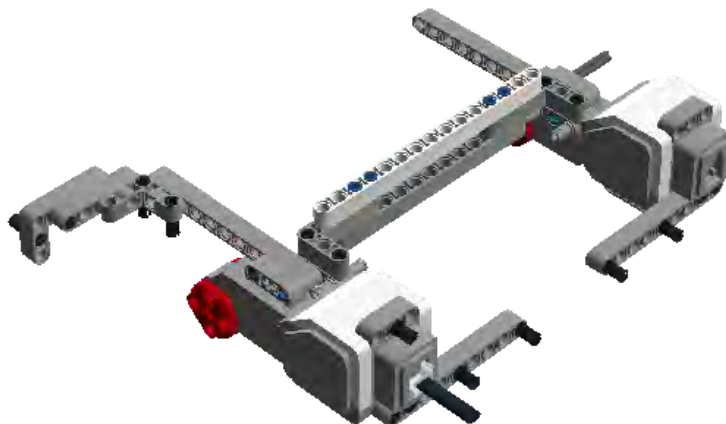
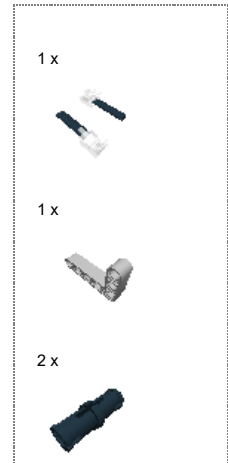




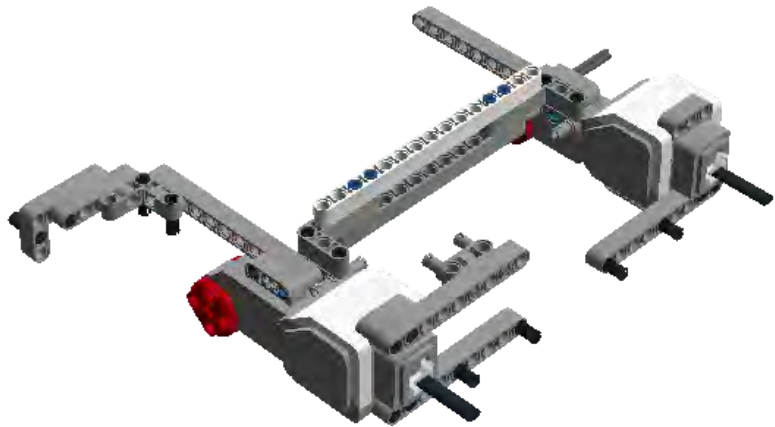
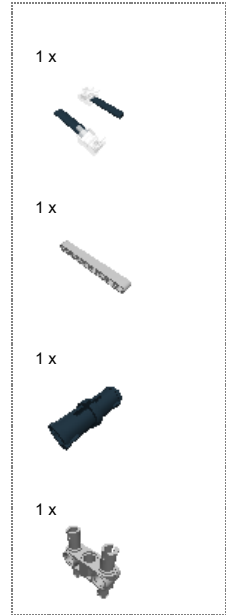
Step 15 of 84



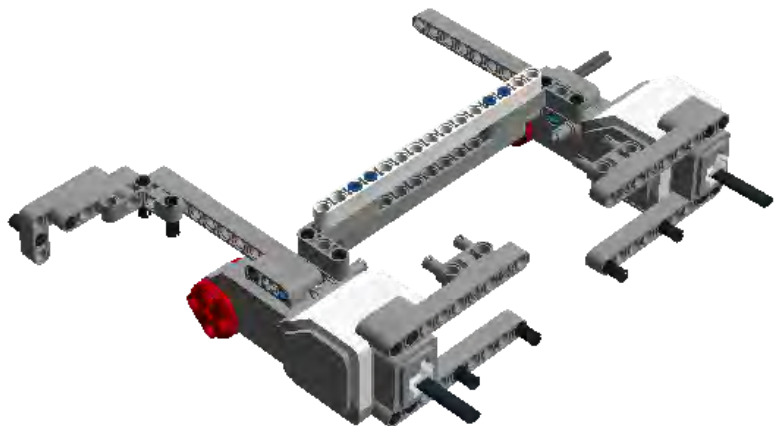
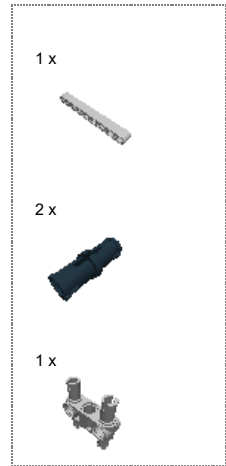
Step 16 of 84



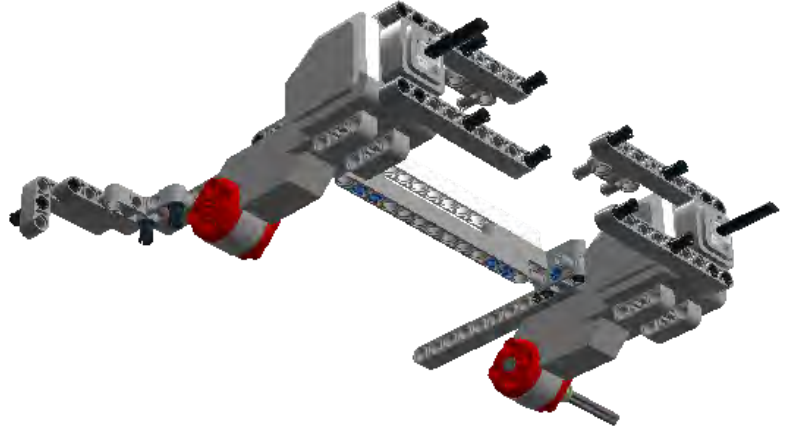
Step 17 of 84



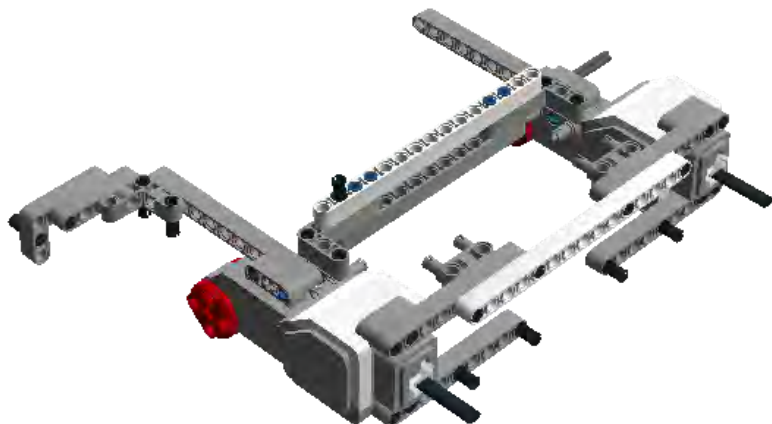
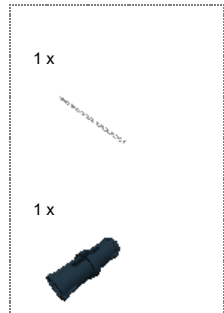
Step 18 of 84



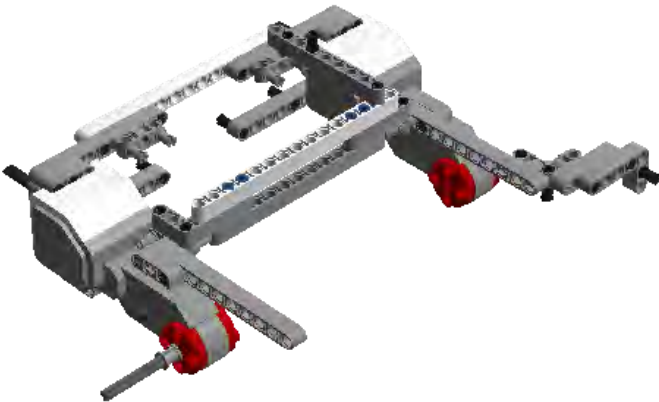
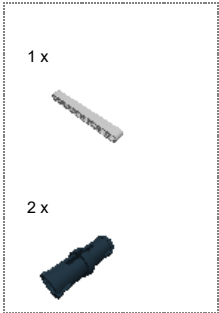
Step 19 of 84



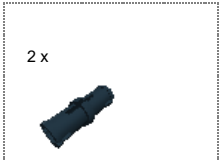
Step 20 of 84



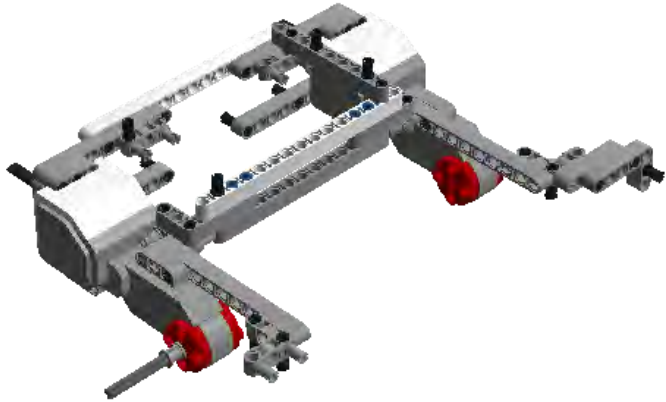
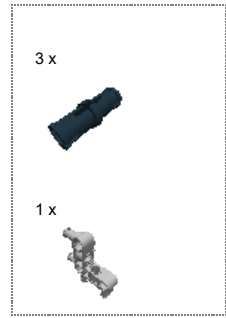
Step 21 of 84



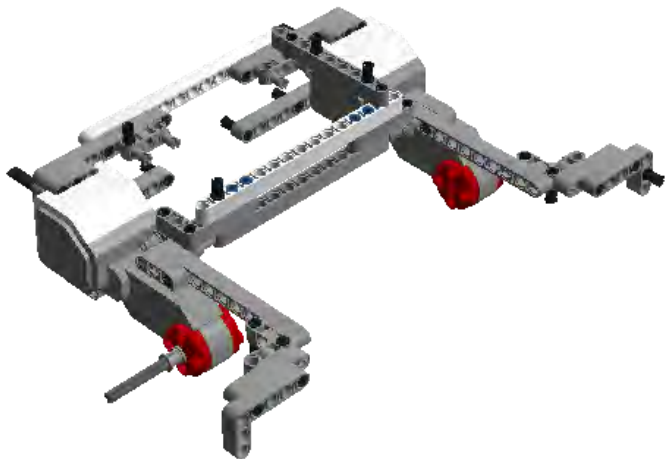
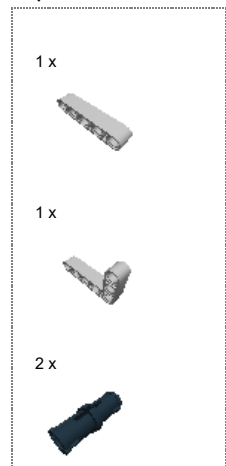
Step 22 of 84



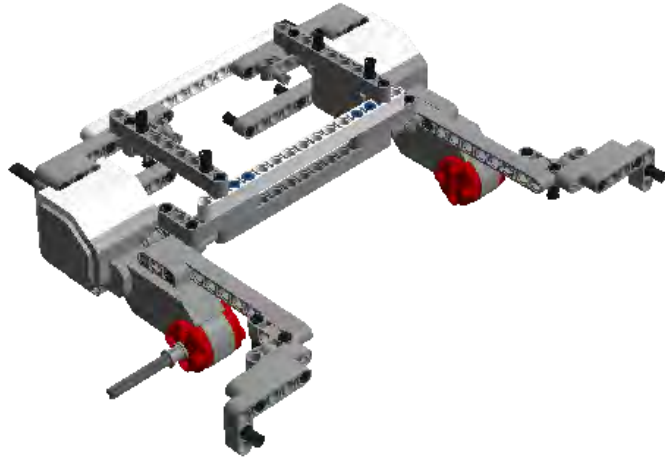
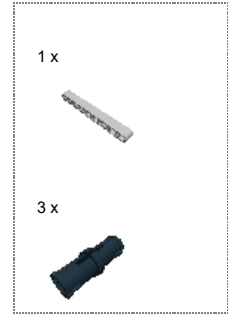
Step 23 of 84



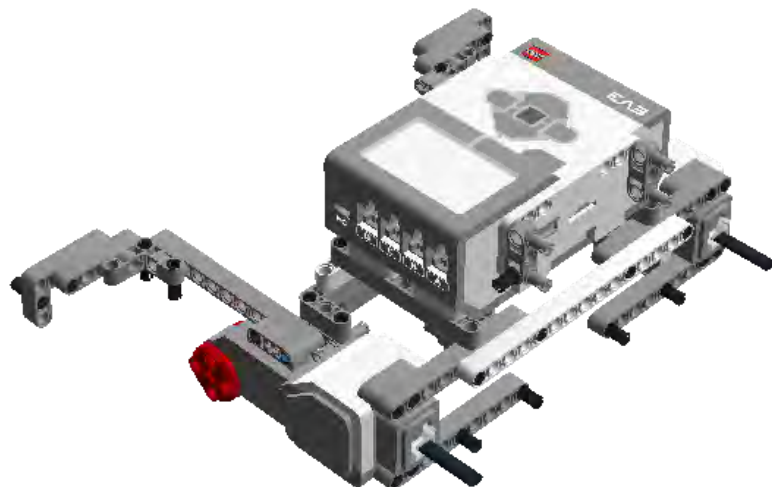
Step 24 of 84



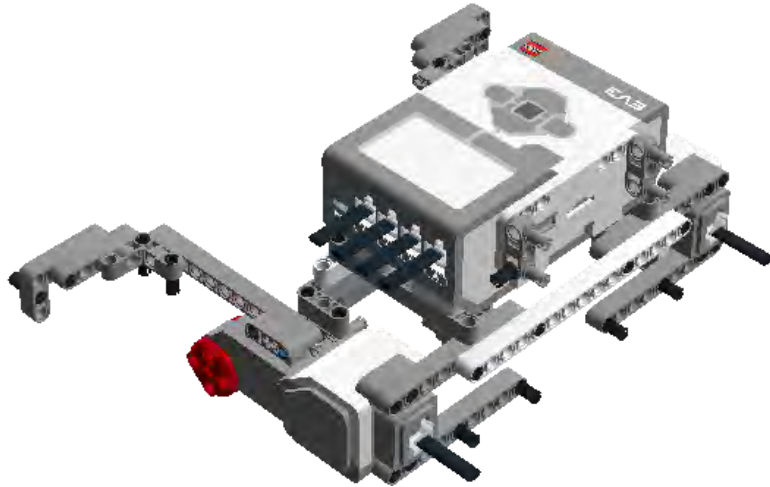
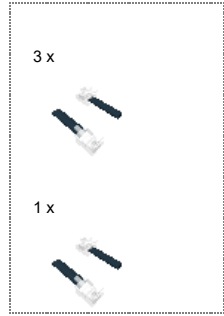
Step 25 of 84



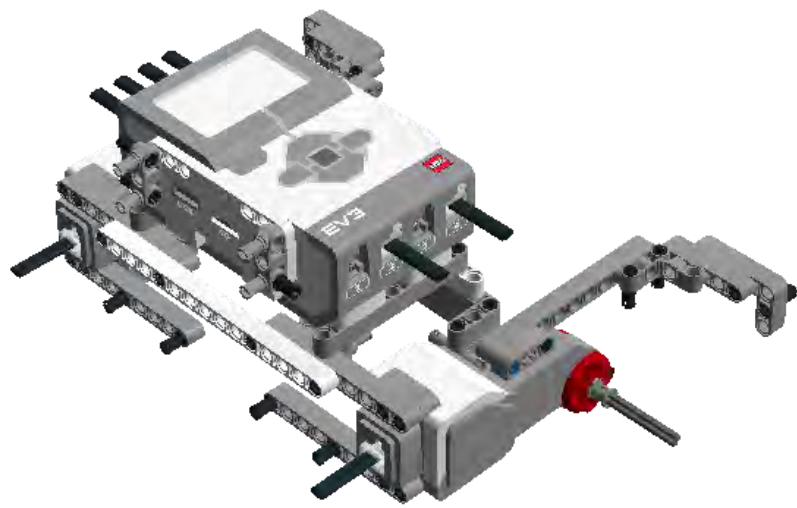
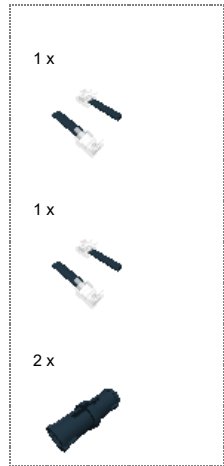
Step 26 of 84



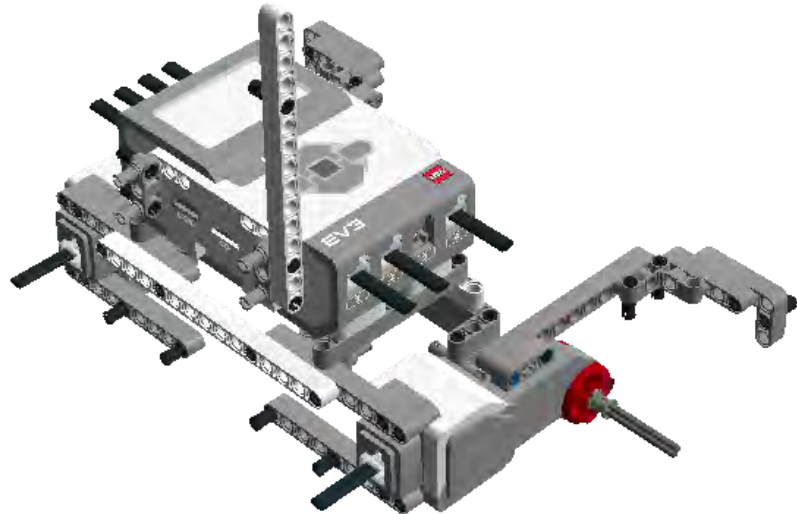
Step 27 of 84



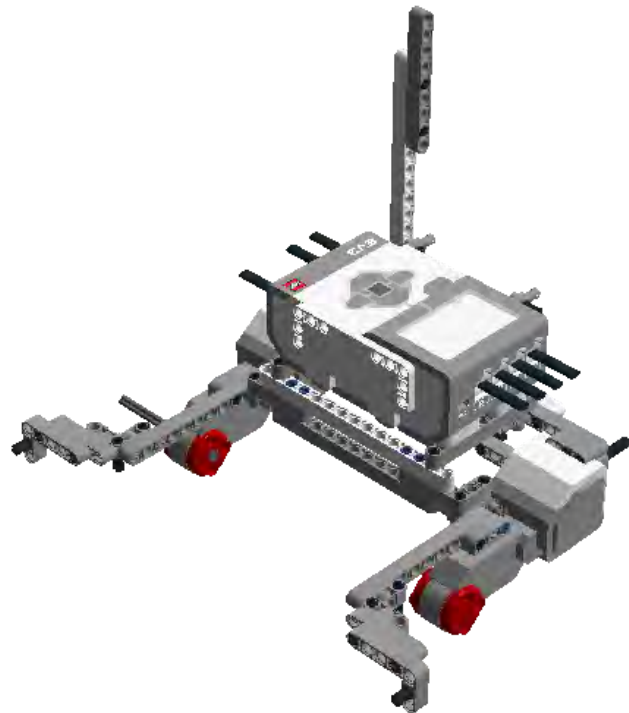
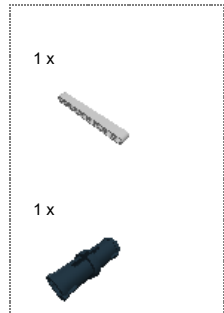
Step 28 of 84



Step 29 of 84



Step 30 of 84



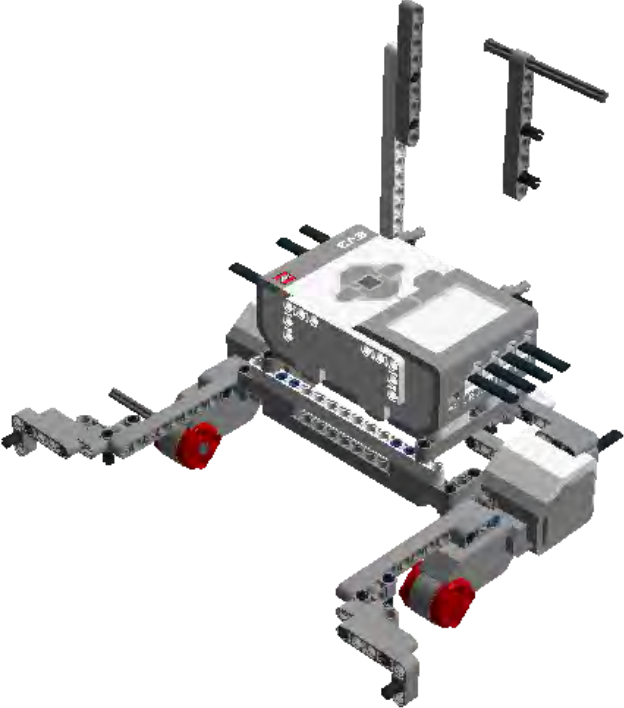


Step 31 of 84

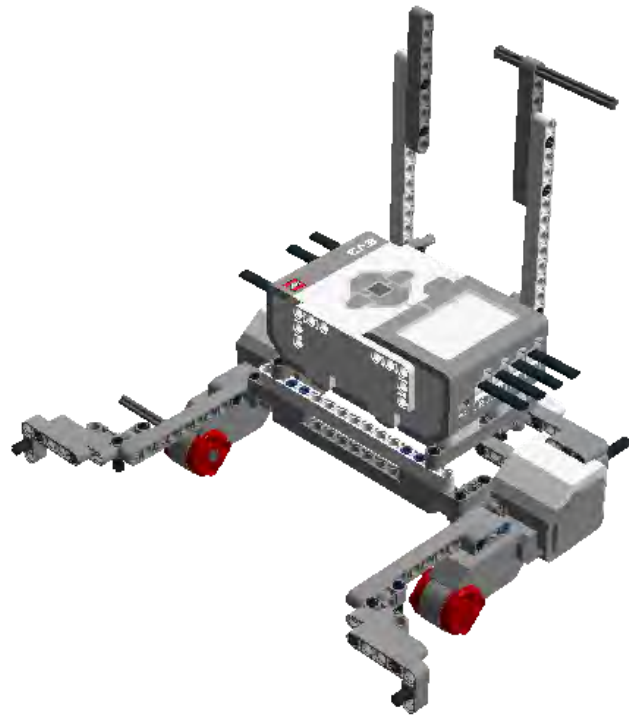
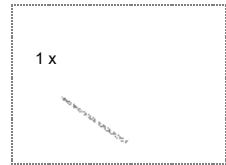
- 1 x 
- 2 x 
- 1 x 



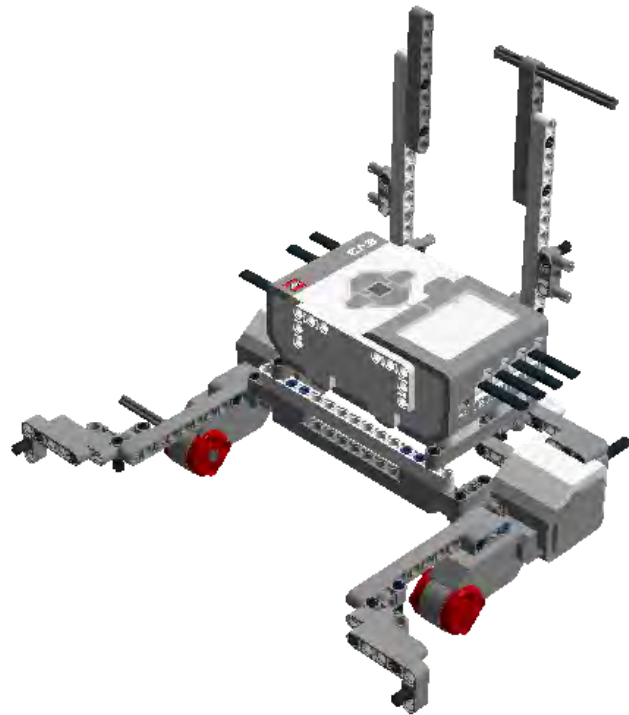
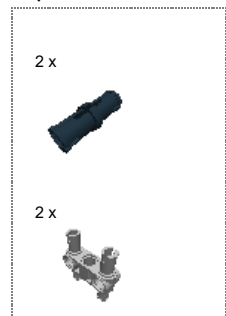
Step 32 of 84



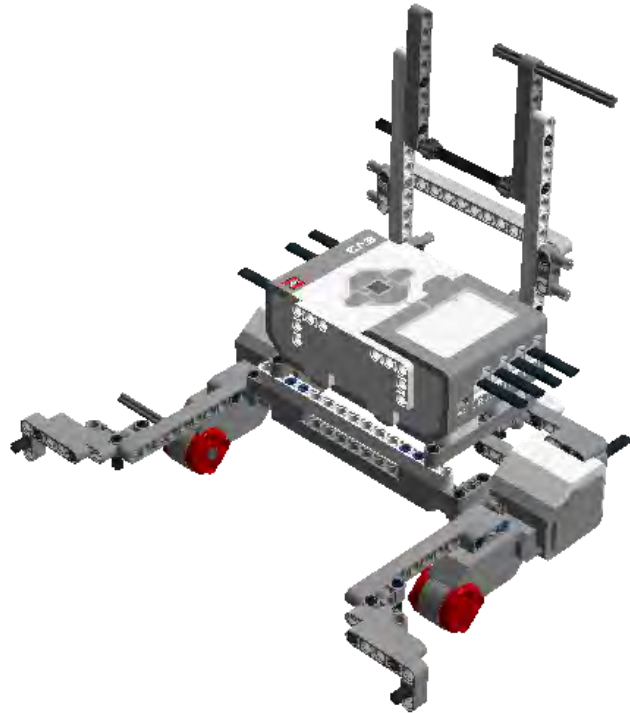
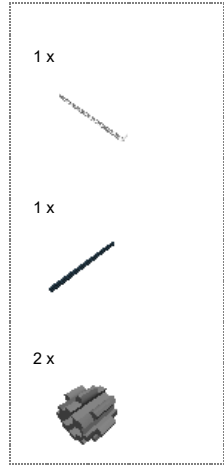
Step 33 of 84



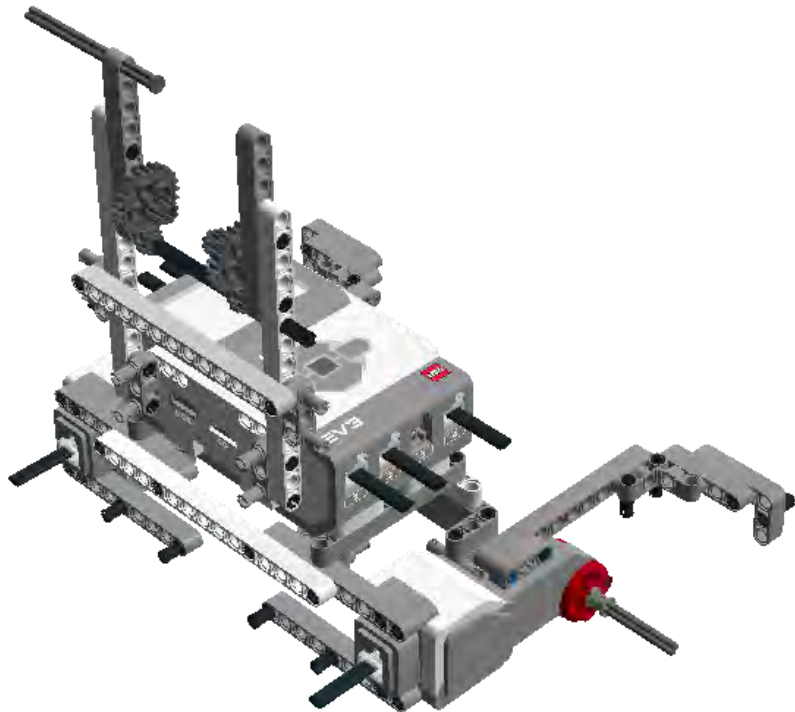
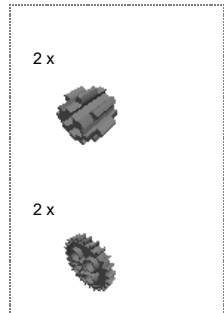
Step 34 of 84



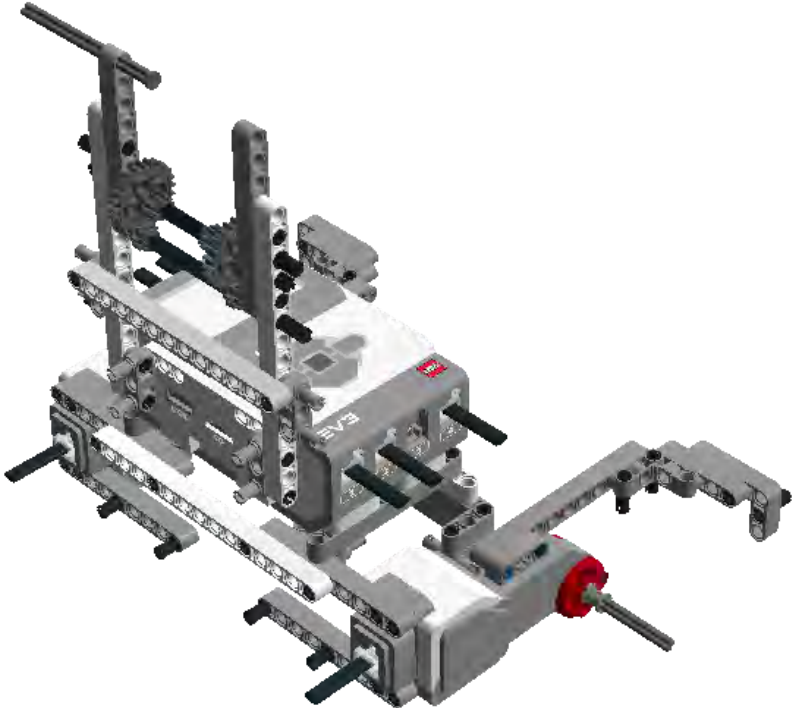
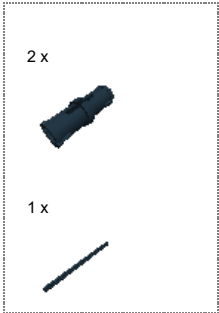
Step 35 of 84



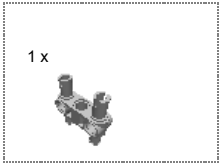
Step 36 of 84



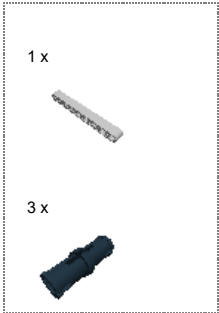
Step 37 of 84



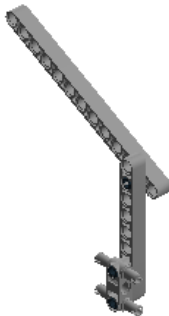
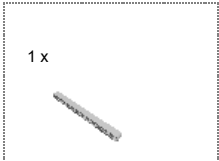
Step 38 of 84

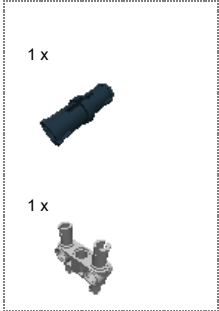
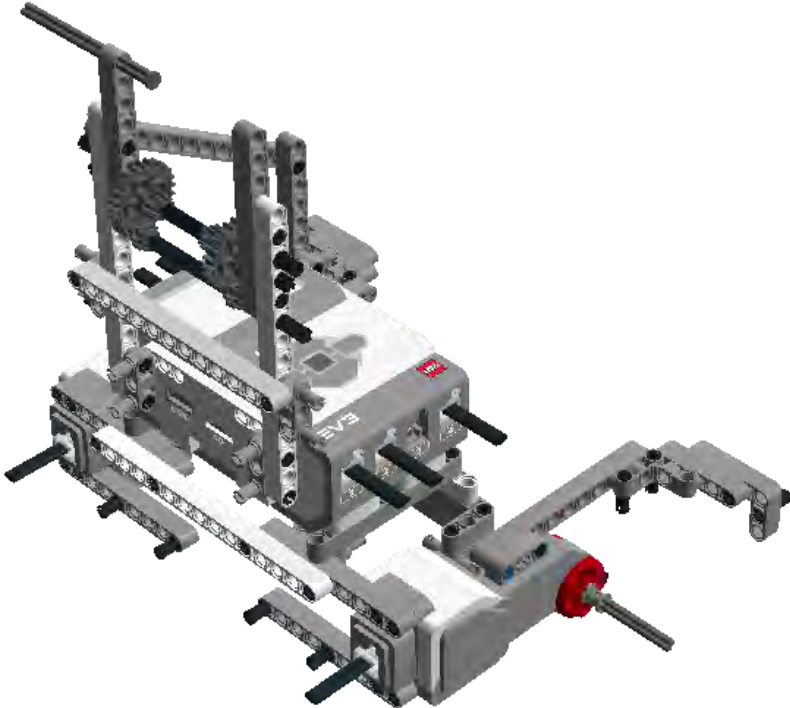


Step 39 of 84

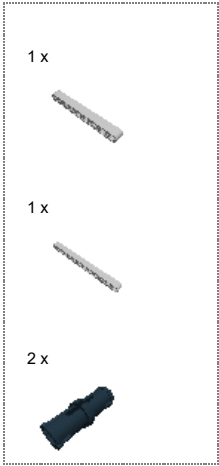


Step 40 of 84

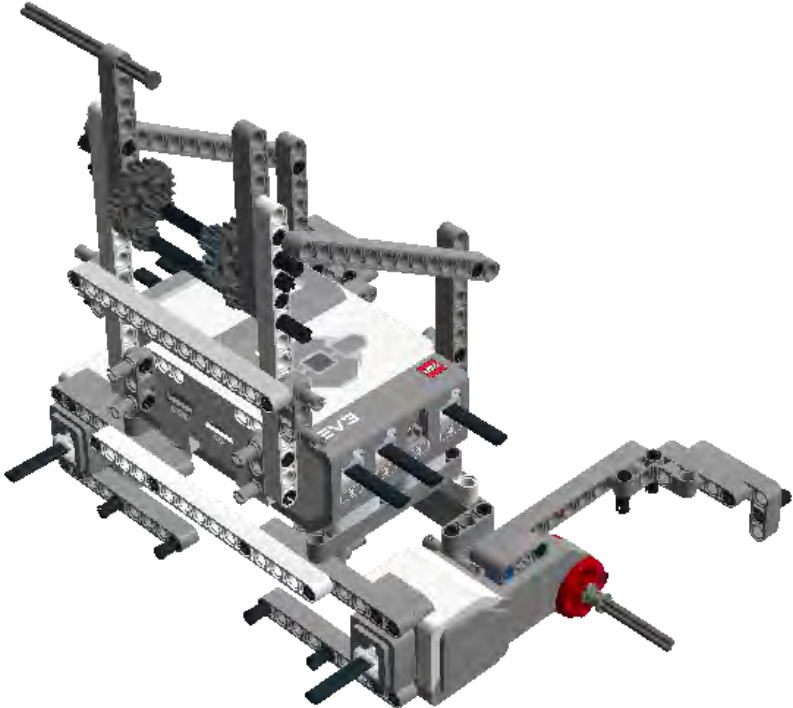




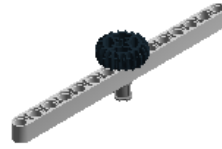
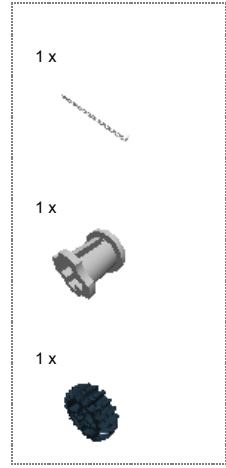
Step 43 of 84



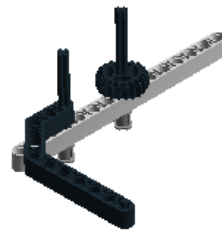
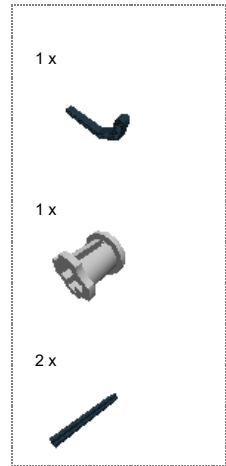
Step 44 of 84



Step 45 of 84

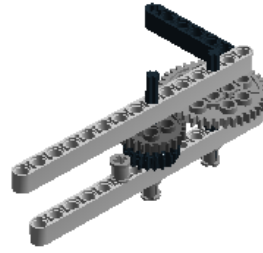
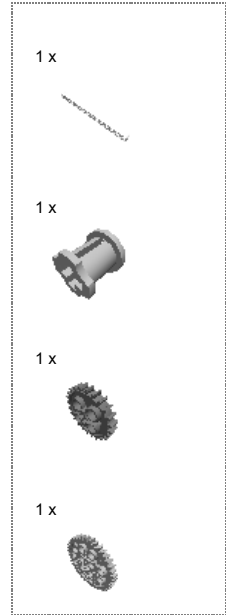


Step 46 of 84

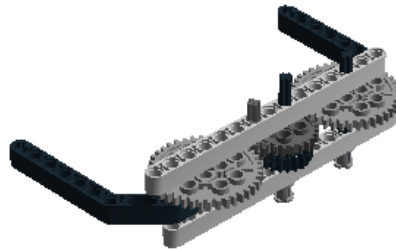
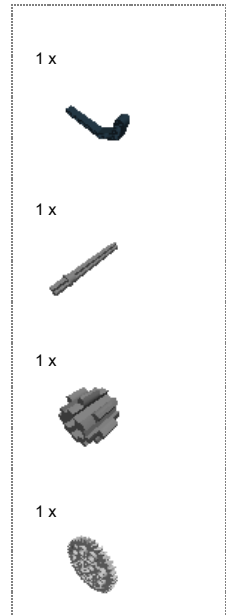




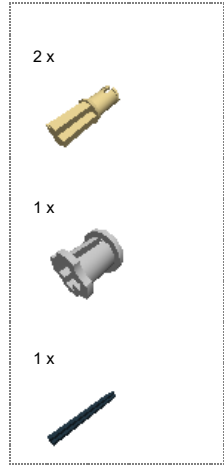
Step 47 of 84



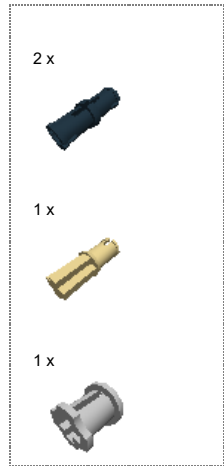
Step 48 of 84



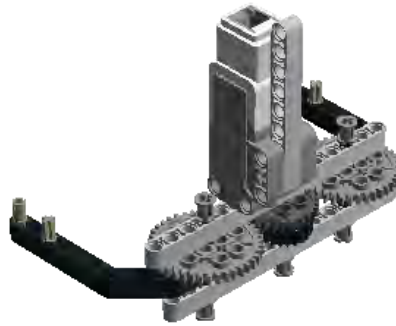
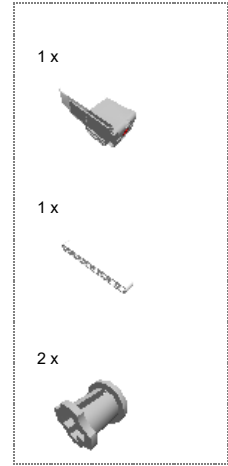
Step 49 of 84



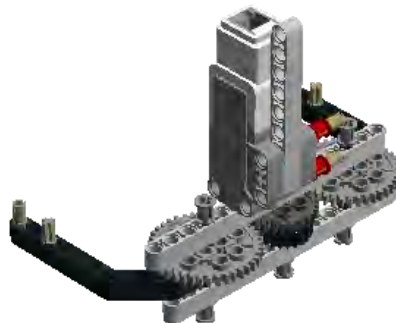
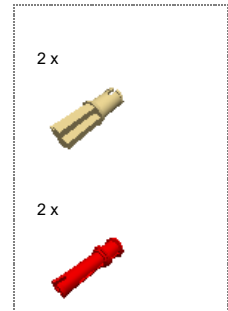
Step 50 of 84



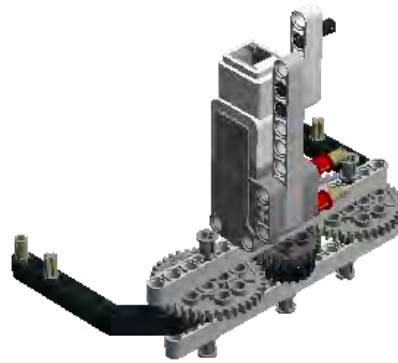
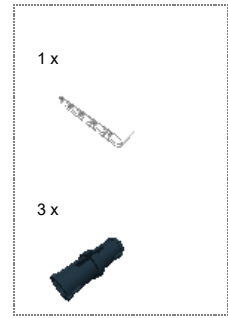
Step 51 of 84



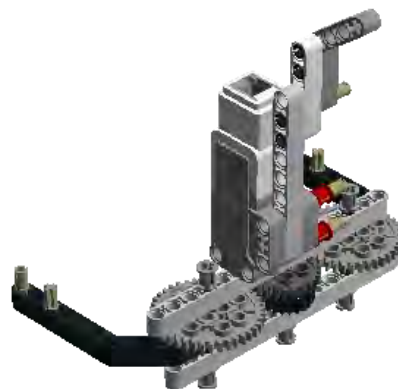
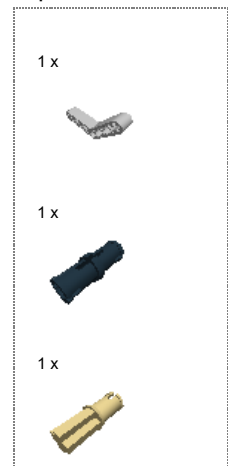
Step 52 of 84



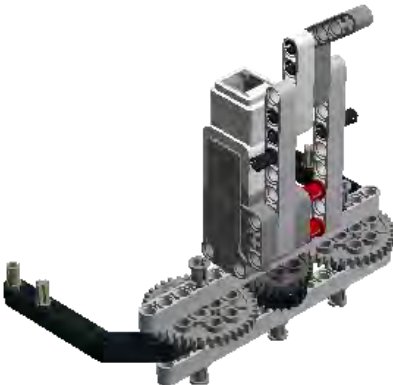
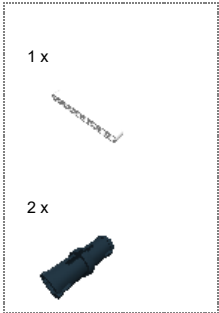
Step 53 of 84



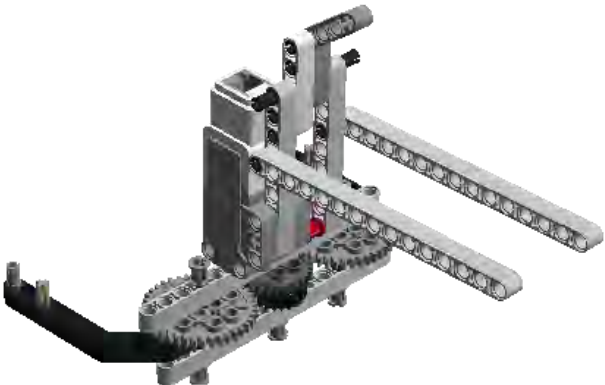
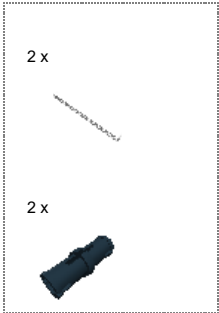
Step 54 of 84



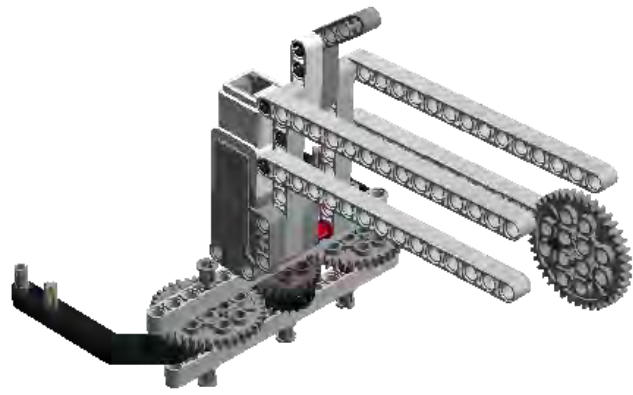
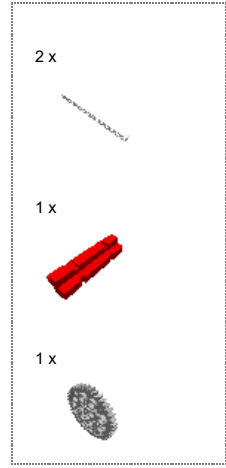
Step 55 of 84



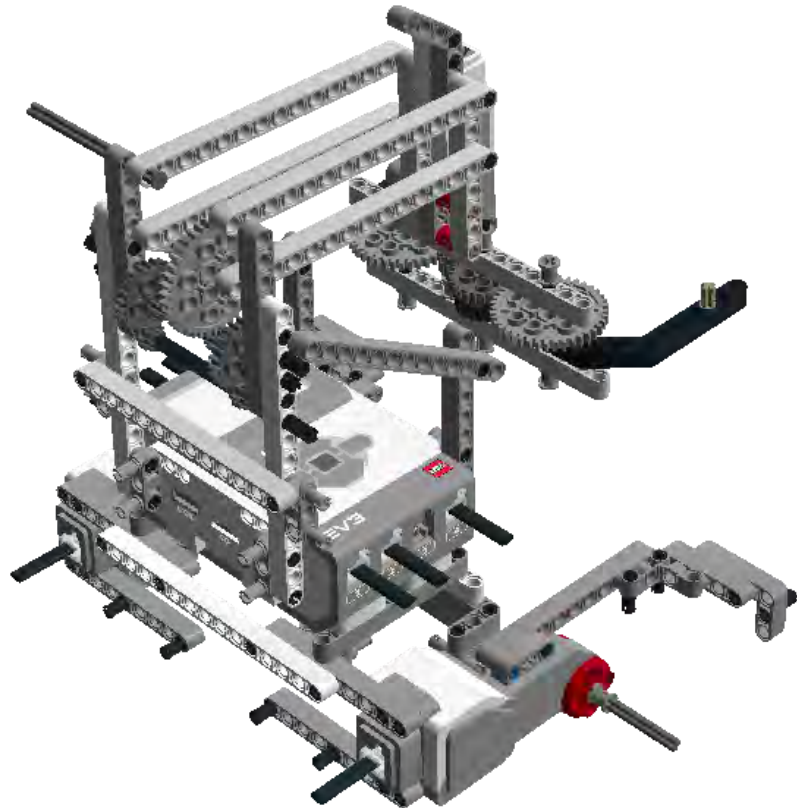
Step 56 of 84



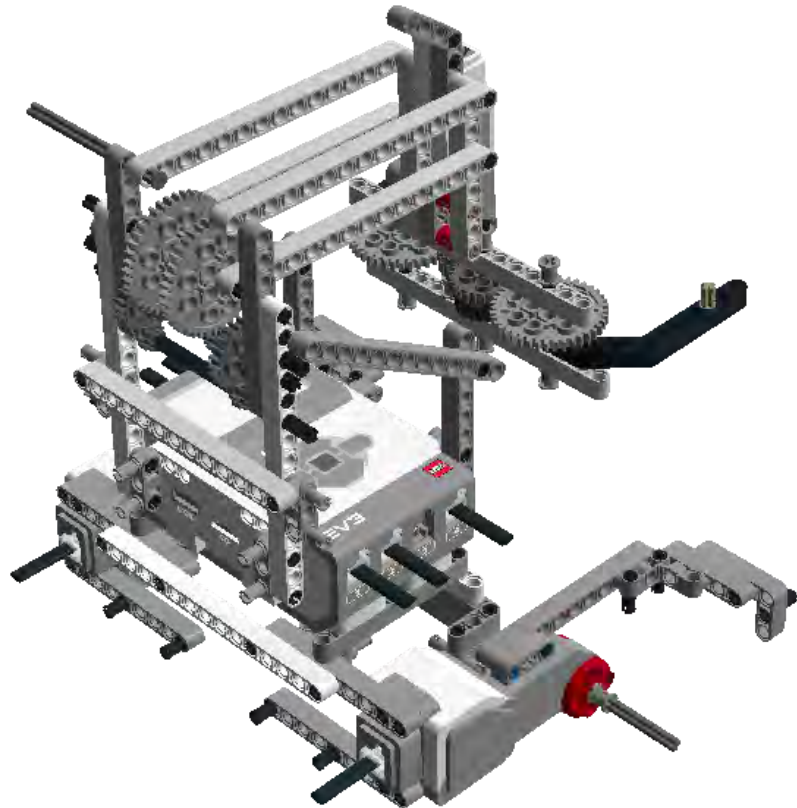
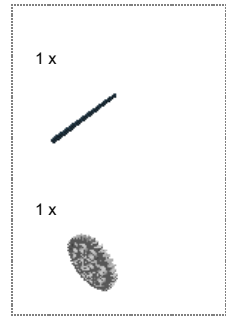
Step 57 of 84



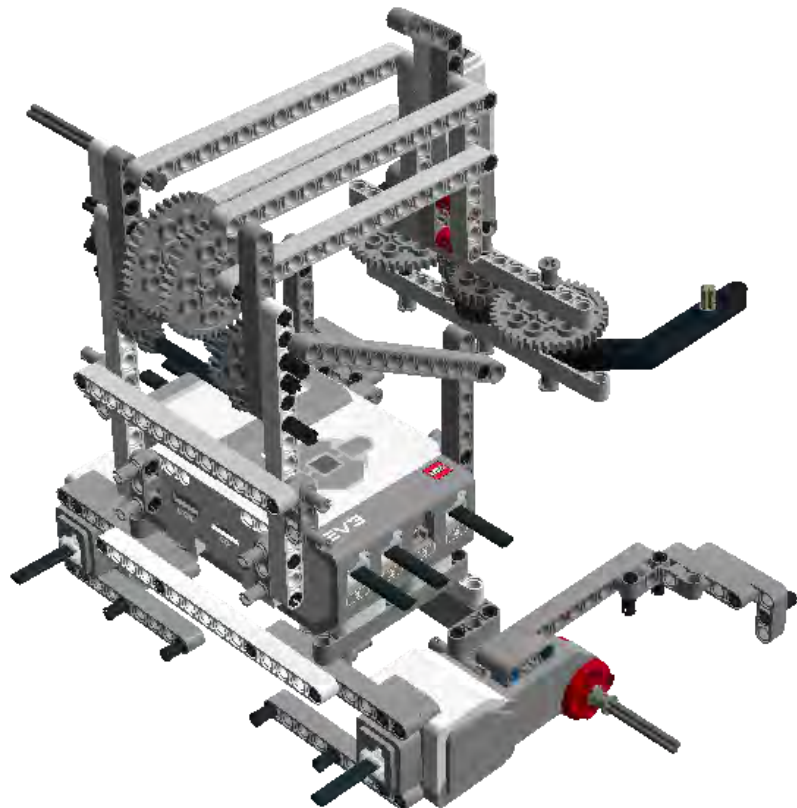
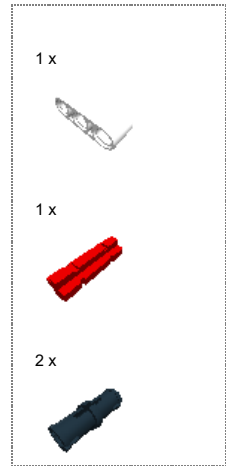
Step 58 of 84



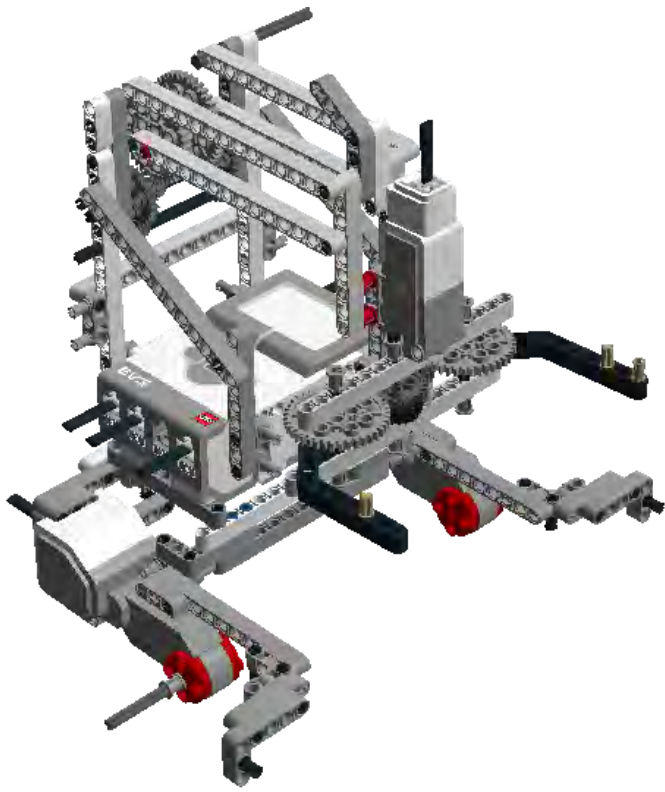
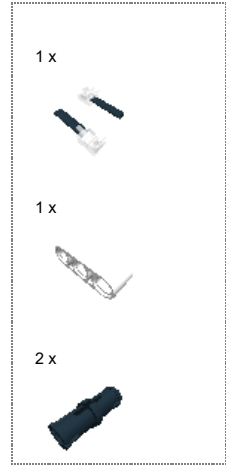
Step 59 of 84



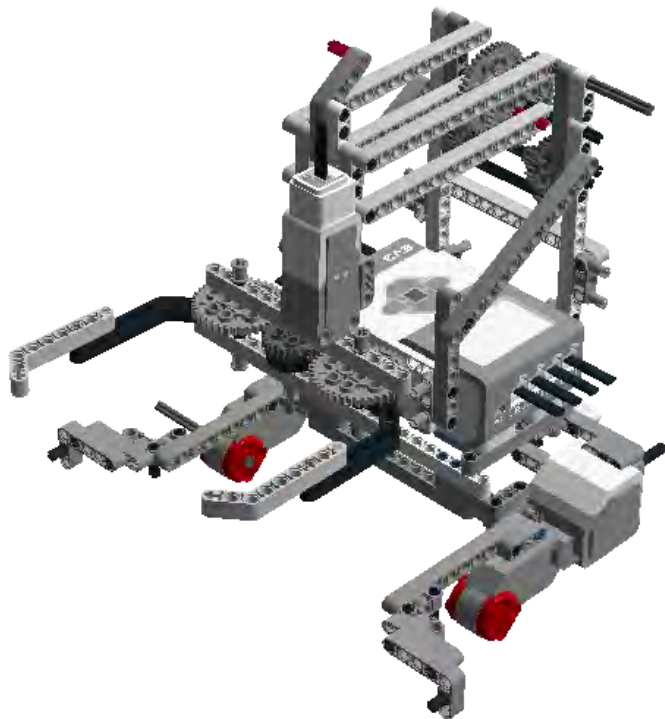
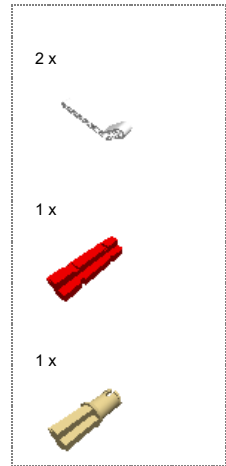
Step 60 of 84



Step 61 of 84

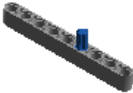
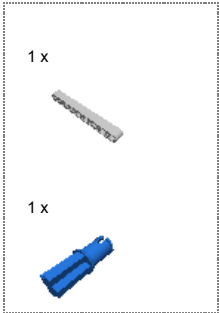


Step 62 of 84

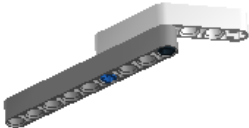
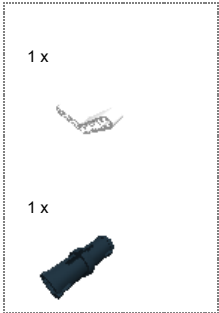




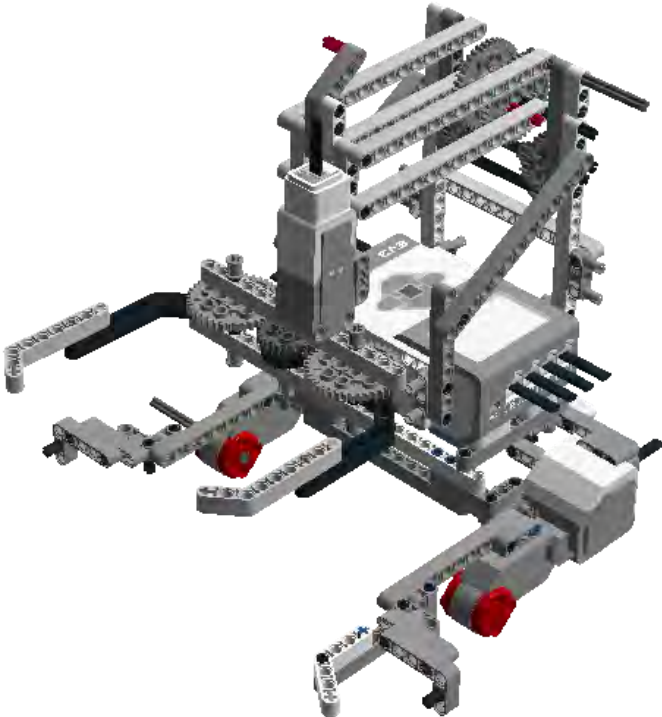
Step 63 of 84



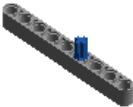
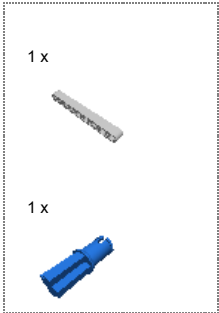
Step 64 of 84



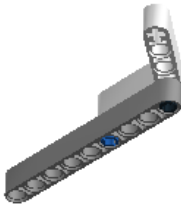
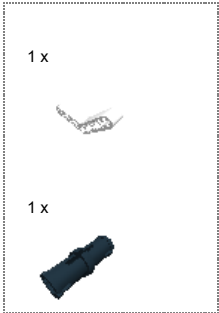
Step 65 of 84



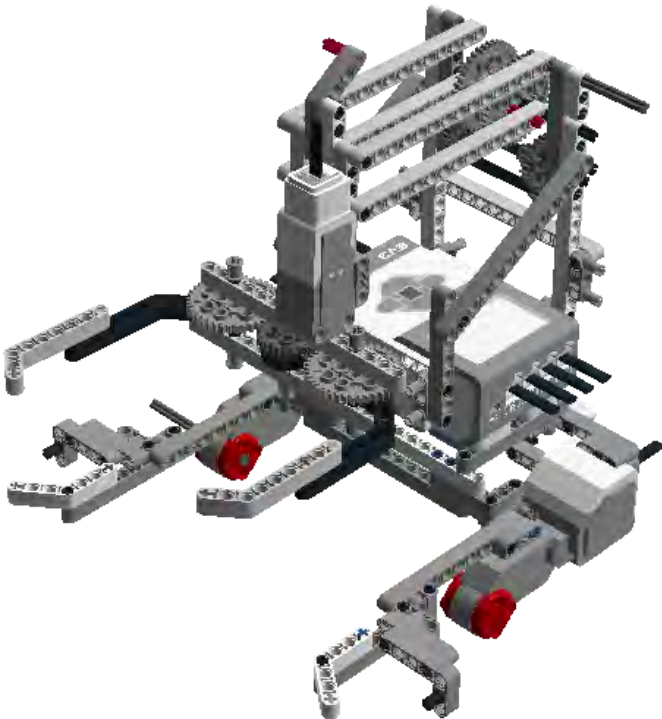
Step 66 of 84



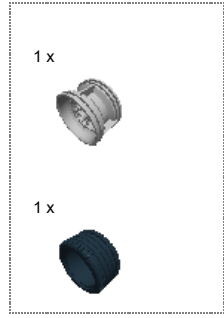
Step 67 of 84



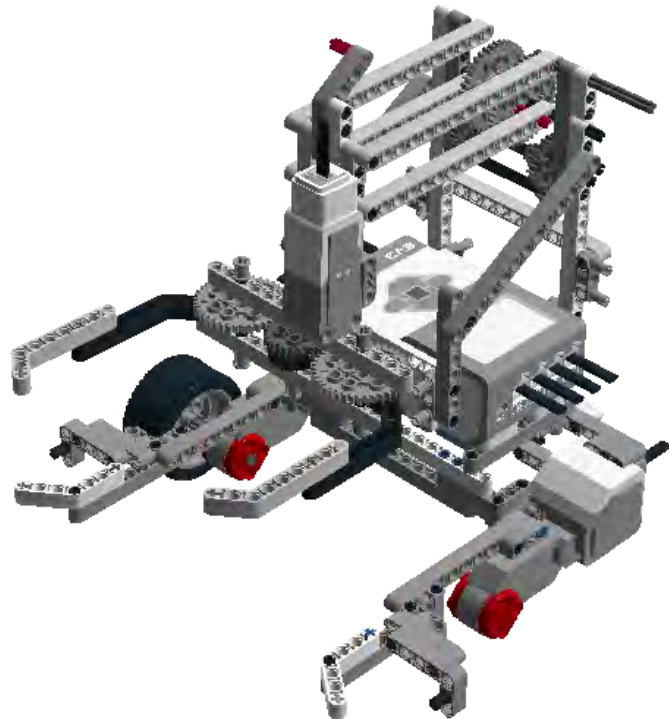
Step 68 of 84



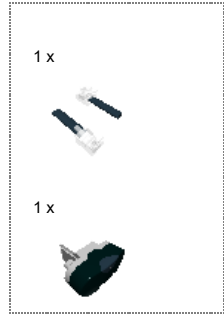
Step 69 of 84



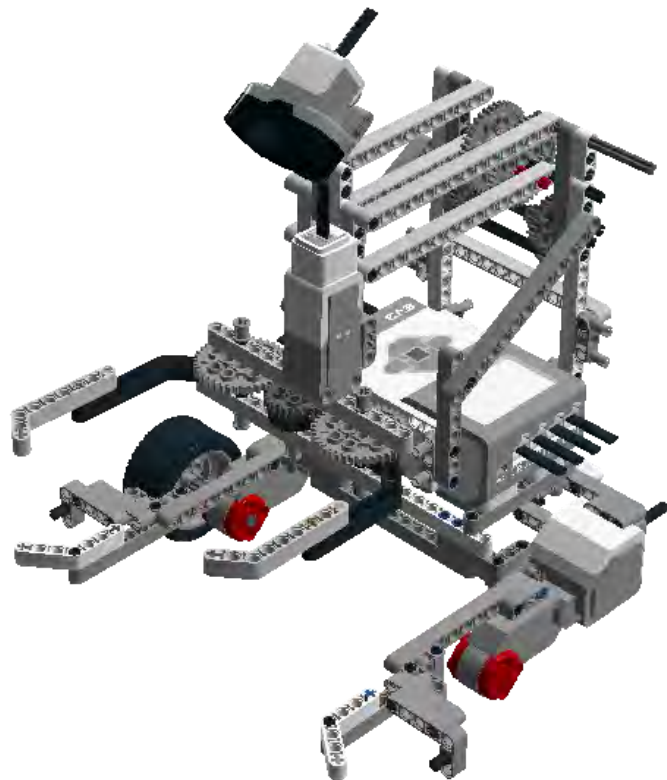
Step 70 of 84



Step 71 of 84



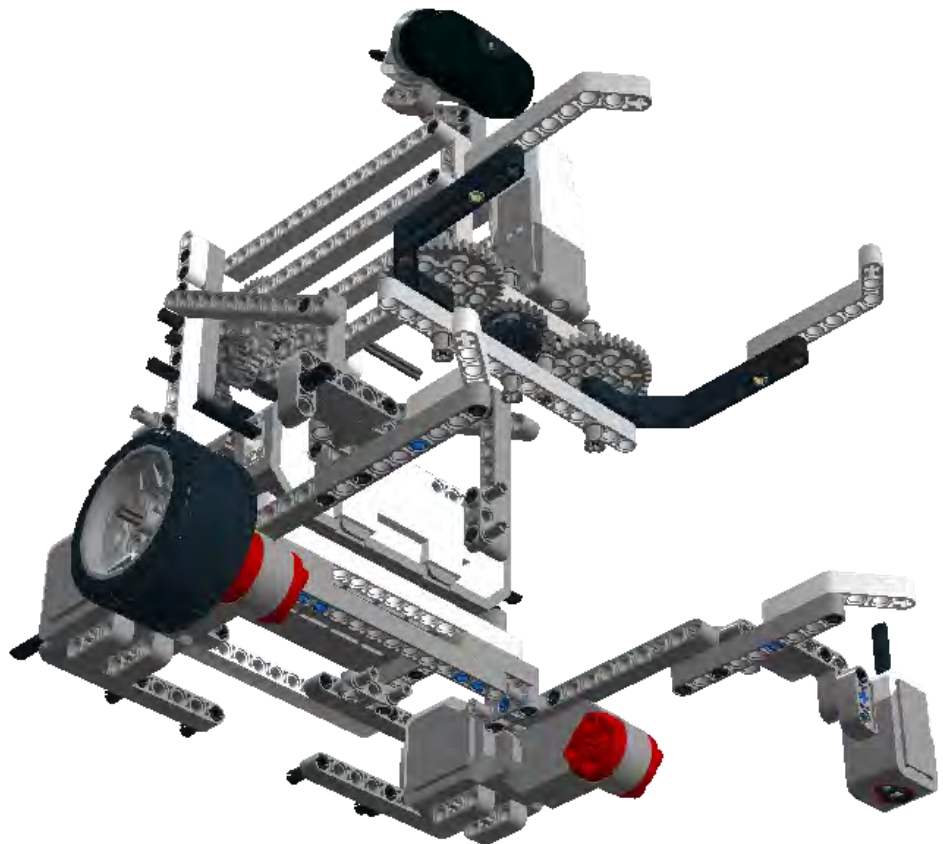
Step 72 of 84



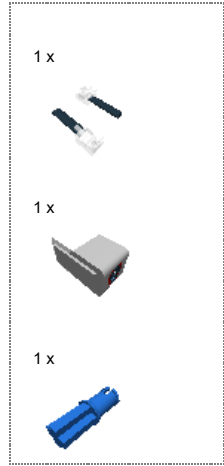
Step 73 of 84



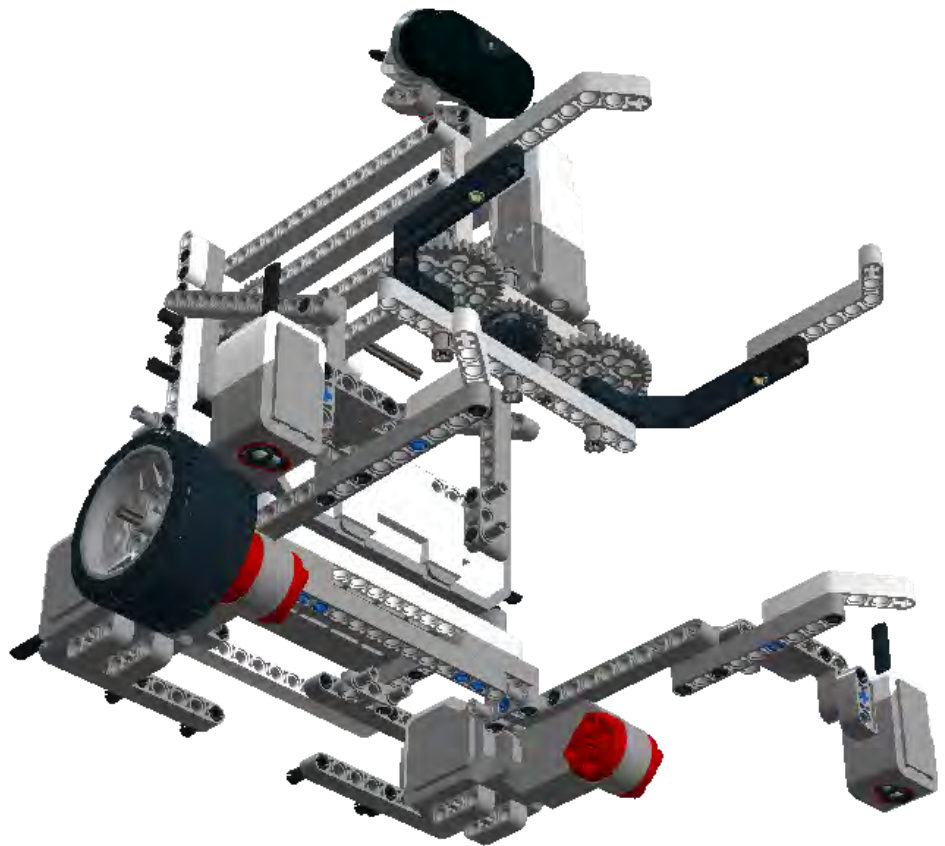
Step 74 of 84







Step 75 of 84



Step 76 of 84

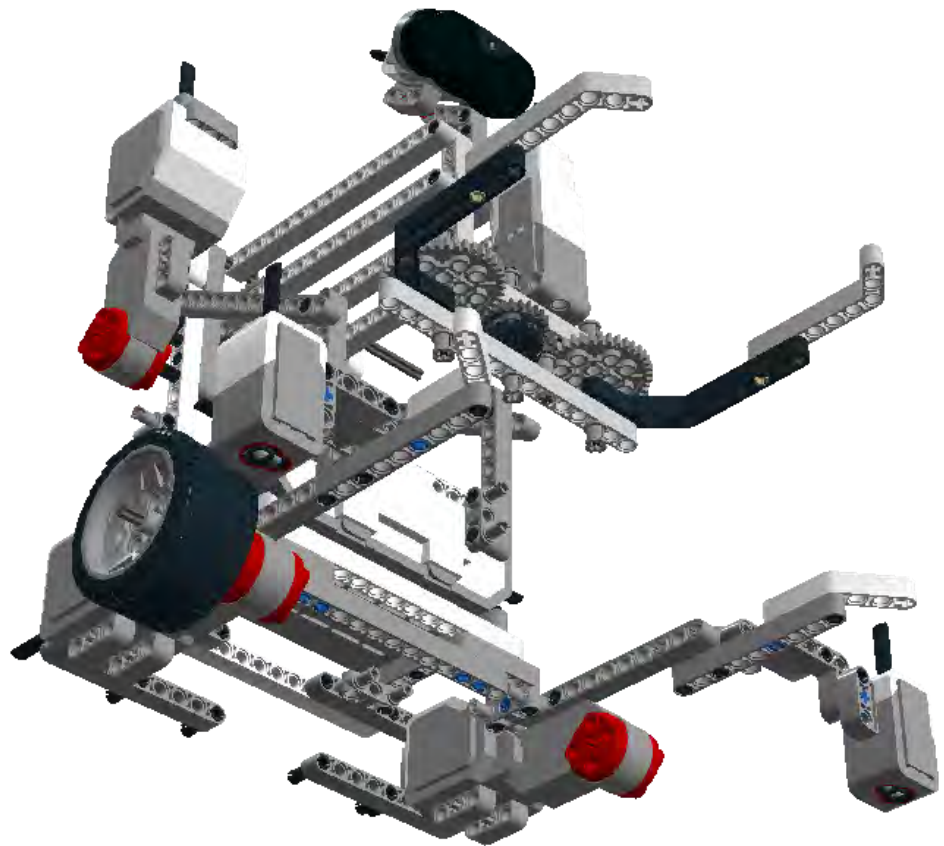


Step 77 of 84

- 1 x 
- 1 x 
- 1 x 
- 1 x 



Step 78 of 84

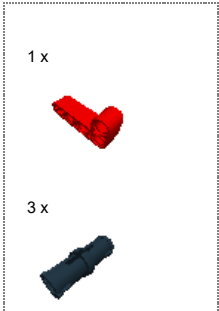




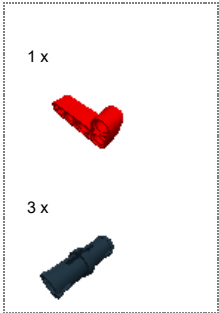
Step 79 of 84



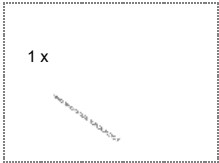
Step 80 of 84



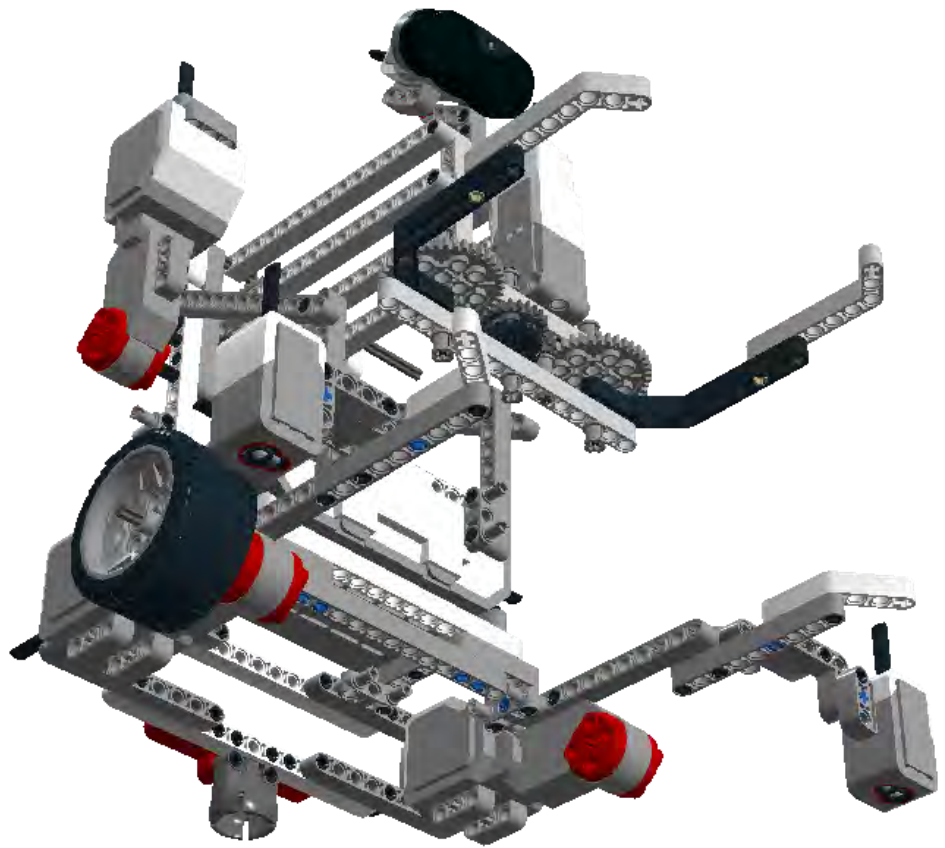
Step 81 of 84



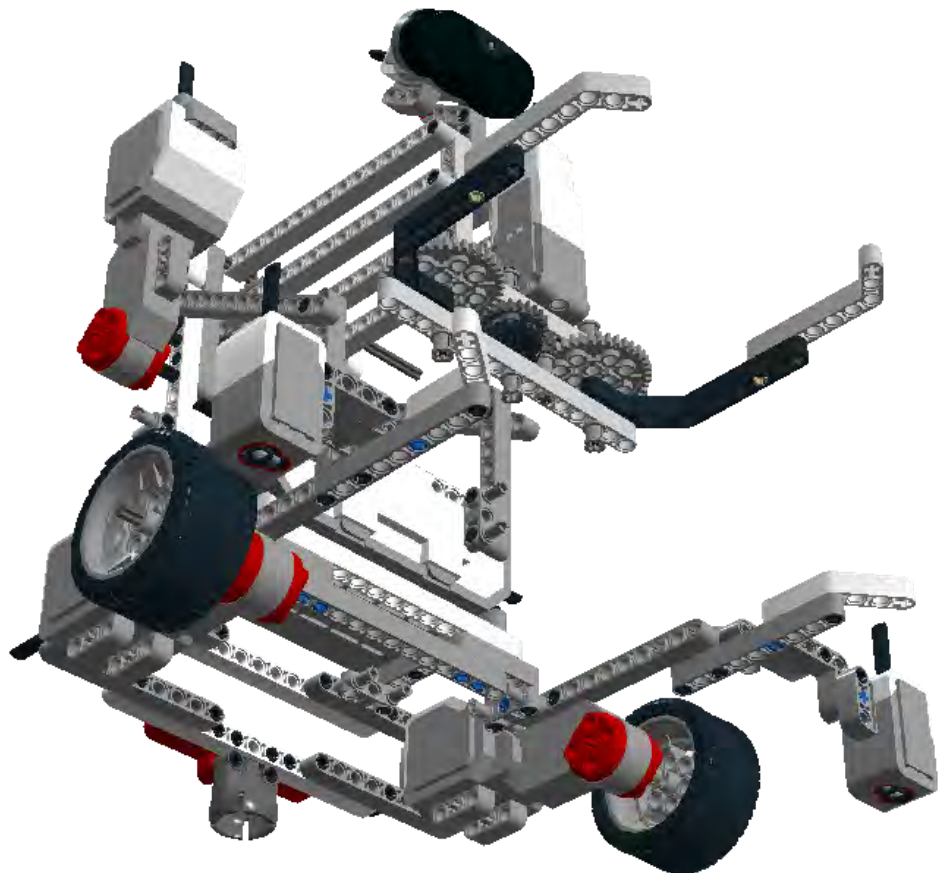
Step 82 of 84





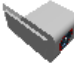















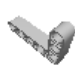

















Step 83 of 84




Step 84 of 84



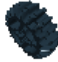
1 x		4634091 RIM WIDE 43,2X26 W 6 HOL.Ø 4.8 - Medium Stone Grey	1 x		6035364 TYRE LOW WIDE Ø56 X 28 - Black	10 x		6024583 CABLE 350 Black, Transp
4 x		6024585 CABEL 500 MM - Black, Transparent	2 x		6008919 MS, EV3, SENSOR, COLOUR - White, Bright Red, Black, Medium Blue, Medium Stone Grey	1 x		6008577 SMALL MOTOR - White, Bright Stone Grey, Silver Metallic
1 x		6009811 MS-EV3, IR SENSOR - White, Black, Pc Black, Ir, Medium Stone Grey, Silver Metallic	3 x		6057952 MS 2013 ENGINE - White, Bright Red, Medium Stone Grey	1 x		6009996 MS-EV3, P-I - White, Trans Stone Grey, Silver Metallic
2 x		4208160 TECHNIC 3M BEAM - White	2 x		4211651 TECHNIC 5M BEAM - Medium Stone Grey	1 x		4249021 TECHNIC 5M BEAM - Medium Stone Grey
2 x		4141270 TECHNIC ANG. BEAM 4X2 90 DEG - Bright Red	12 x		4211866 TECHNIC 9M BEAM - Medium Stone Grey	2 x		4297202 TECHNIC 9M BEAM - Medium Stone Grey
2 x		4611705 TECHNIC 11M BEAM - Medium Stone Grey	3 x		4522934 TECHNIC 13M BEAM - Medium Stone Grey	1 x		4297203 TECHNIC 13M BEAM - Light Stone Grey
6 x		4297197 TECHNIC 15M BEAM - Light Stone Grey	5 x		4542578 TECHNIC 15M BEAM - White	4 x		4211713 TECHNIC ANGULAR BEAM 90 DEG. - Medium Stone Grey
1 x		4211668 TECHNIC ANGULAR BEAM 4X4 - Medium Stone Grey	2 x		4509912 TECHNIC ANGULAR BEAM 4X4 - White	2 x		4537417 TECHNIC ANGULAR BEAM 3X7 - Light Stone Grey
2 x		4111998 DOUBLE ANGULAR BEAM 3X7 45° - Black	3 x		4142865 2M CROSS AXLE W. GROOVE - Bright Red	80 x		4121715 CONNECTOR FRICION - Black
7 x		4666579 CONNECTOR PEG/CROSS AXLE - Brick Yellow	9 x		4211622 BUSH FOR CROSS AXLE - Medium Stone Grey	4 x		4206482 CONN. BUSI W. FRIC./CR - Bright Blue
6 x		4514553 CONNECTOR PEG W. FRICTION 3M - Bright Blue	3 x		370626 CROSS AXLE 6M - Black	2 x		4140806 2M FRIC. STOP HOLE - Bright Red
1 x		4508553 CROSS AXLE 5,5 WITH STOP 1M. - Dark Stone Grey	3 x		370826 CROSS AXLE 12M - Black Grey	3 x		4499858 CROSS AXLE END STOP - Grey


10 x  4225033 BEAM 3 M. W/4 SNAPS -  
Medium Stone Grey


2 x  4296059 Angular beam 90degr. w.4  
snaps - Medium Stone Grey

1 x  4610380 POWER JO  
Stone Grey

5 x  6012451 GEAR WHEEL T=8, M=1 -  
Dark Stone Grey

1 x  4177430 DOUBLE CONICAL WHEEL  
Z20 1M - Black

3 x  4514558 GEAR WHE  
Stone Grey

4 x  4285634 GEAR WHEEL 40T -  
Medium Stone Grey

© 2012 The LEGO Group. All rights reserved.  
Use of the LEGO Digital Designer html print tool, signifies your agreement to the terms of use.